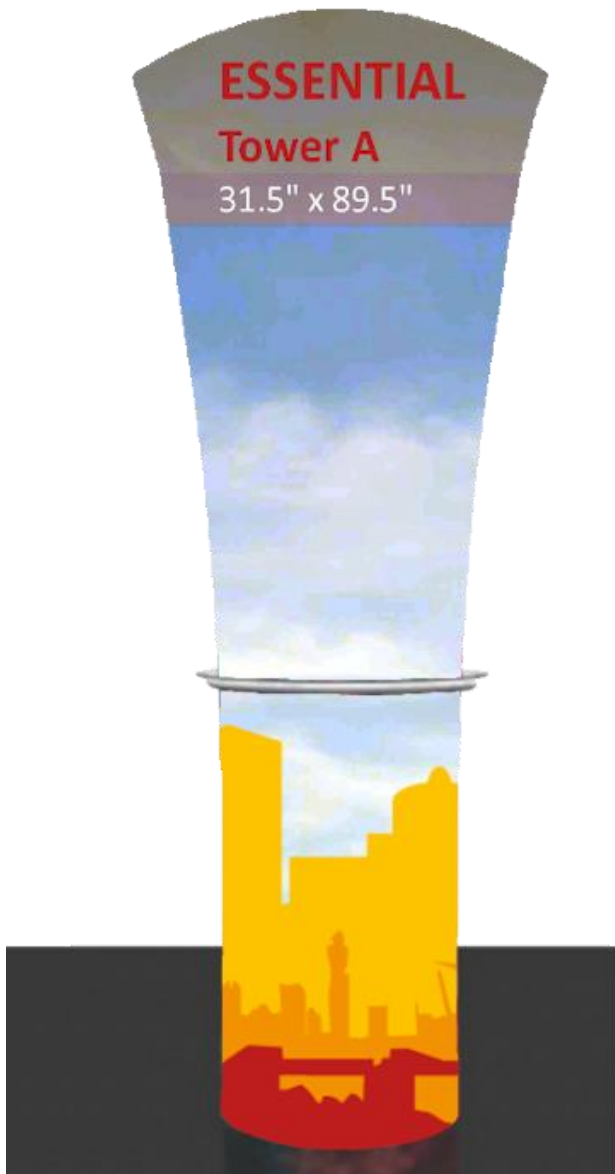


Essential Fabric Display – Tower A

Assembly Instructions



Overview:

Essential Tower fabric displays are double-sided tension fabric display stands that feature a clear, acrylic shelf. Tower A is offered with a curved or sloped top and allows you to dress up any space with your own graphic. Tower comes with a canvas over-the-shoulder carry bag.

Features and Benefits:

- Double-sided tension fabric display stand
- Clear, acrylic shelf
- Easy to store and ship
- Quick to set up
- Choose between a curved or sloped top
- Kit includes: one frame, pillowcase elastic fabric graphic, acrylic shelf and carry bag
- One year limited hardware warranty against manufacturer defects

Hardware Dimensions:

Assembled unit: 31.5" w x 89.5" h x 17.875" d 800mm(w) x 2273mm(h) x 454mm(d)	Approximate weight: 23.8 lbs / 10.8 kgs
---	--

Graphic Material:

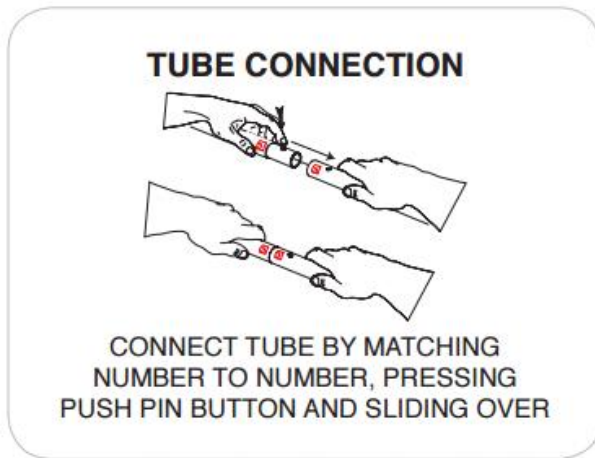
Dye-sublimated zipper pillowcase fabric

Essential Fabric Display – Tower A

Assembly Instructions

Assembly View:

Assemble unit by laying tubes flat on the floor. Connect the bungee tube rails by pressing the push snap buttons in and sliding over (see drawing below) following the number labels listed, T1 to T1, T2 to T2 and so on.



BUNGEE-CORDS

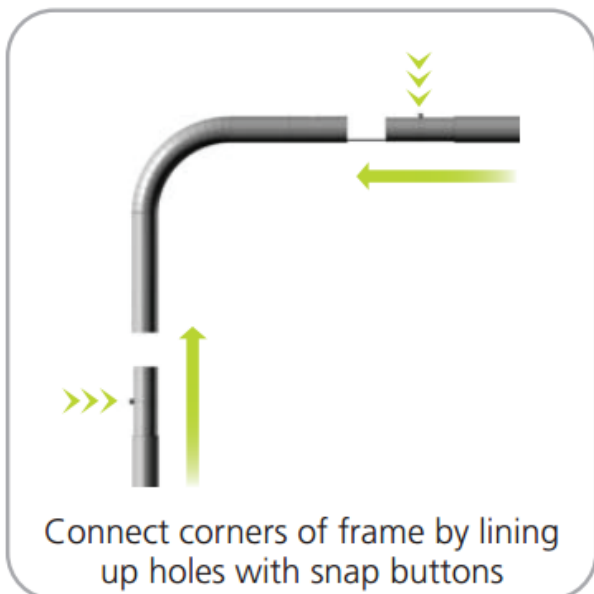
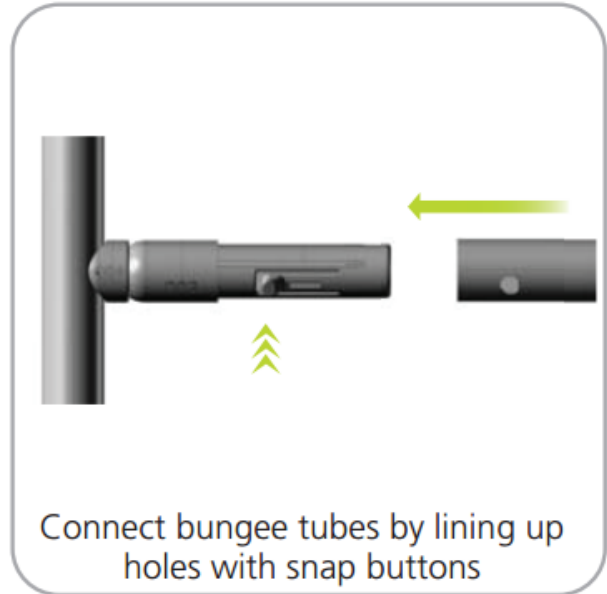
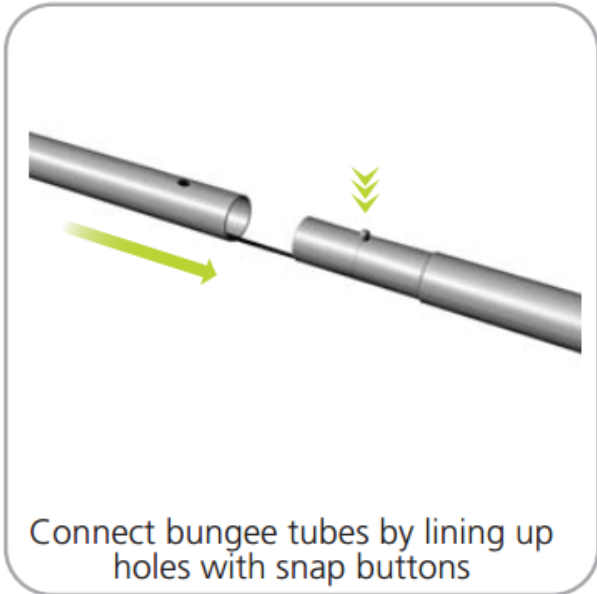


Essential Fabric Display – Tower A

Assembly Instructions

Step by Step Instructions:

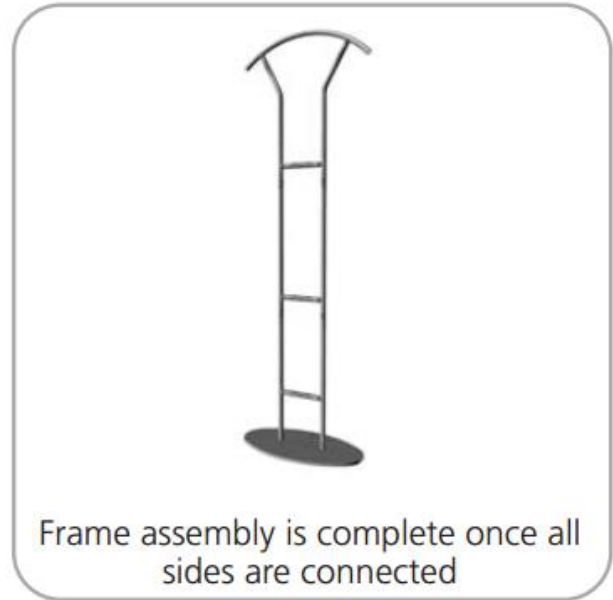
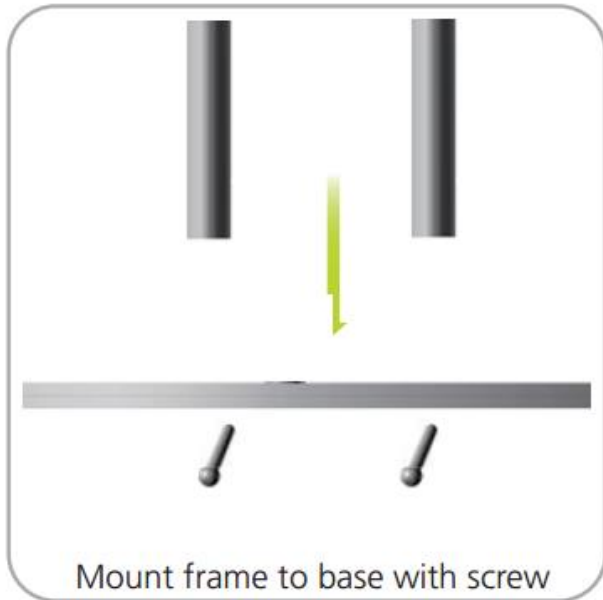
STEP 1: ASSEMBLE FRAME



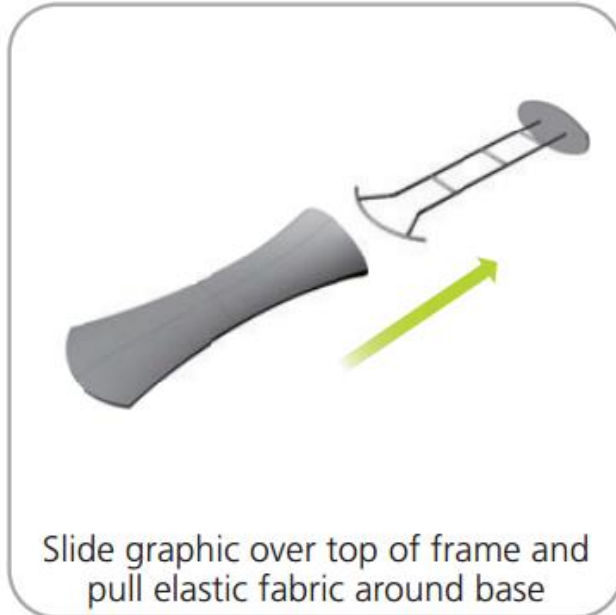
Essential Fabric Display – Tower A

Assembly Instructions

STEP 2: ATTACH BASE



STEP 3: ATTACH GRAPHIC



Essential Fabric Display – Tower A

Assembly Instructions

STEP 4: ATTACH TABLE

